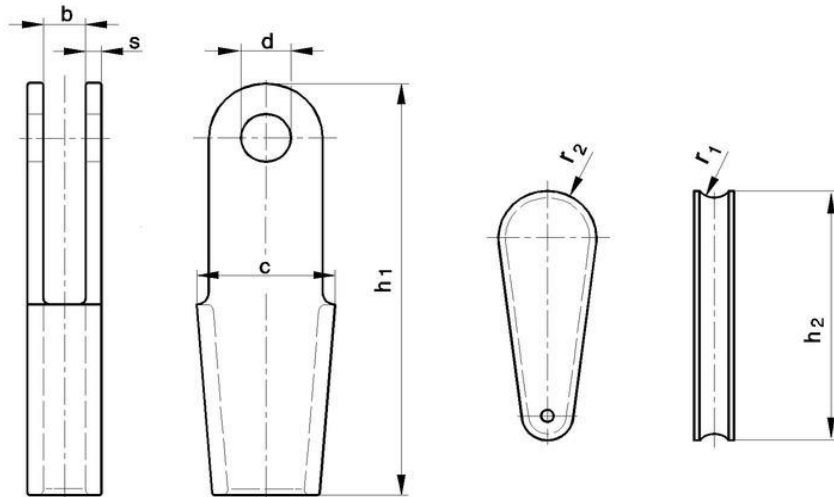


Rope sockets for lifts acc. to DIN EN 13411-7

Complete with wedge, pin and split-pins. The surface is galvanized.



Size	Rope-Ø	Part-no.	Rope socket housing						Rope wedges		
			a	b	c	d	h1	s	r1	r2	h2
5	4-5	ZSSSV05K	26	12	33	10	110	3	2,50	9,50	68
6,5	5-6,5	ZSSSV065K	28	10	35	10	100	4	3,25	9,00	58
8	6-8	ZSSSV08K	37	14	45	12	150	4	4,00	12,50	92
11	9-11	ZSSSV11K	48	17	60	16	190	6	5,50	16,00	117
14	12-14	ZSSSV14K	58	22	78	18	230	8	7,00	19,00	141
17	15-17	ZSSSV17K	70	25	92	22	260	10	8,50	23,00	162
20	18-20	ZSSSV20K	82	27	106	25	300	12	10,00	26,00	186

The usage of ropes with a single wire strength > 1770 N/mm² is not appropriated.