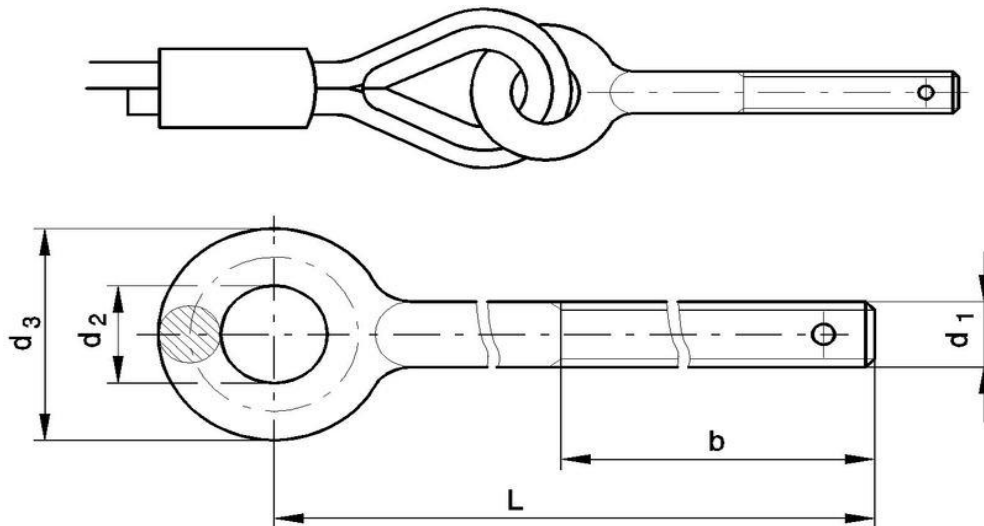


Pressed Thimble with eyelet bolts

Thimble with pressed Z-Sleeve to DIN EN 13411-3 with additional eyelet bolt.



	M12 x 260	M12 x 350	M12 x 500	M16 x 260	M16 x 350	M16 x 500	M20 x 290	M20 x 450	M24 x 400
d1	12	12	12	16	16	16	20	20	24
d2	26	26	26	28	28	28	28	28	27
d3	50	50	50	60	60	60	68	68	65
n	120	150	120	150	200	200	120	200	220
L*	260	350	500	260	350	500	290	450	400
MBF [kN]	43,8	43,8	43,8	81,6	81,6	81,6	127	127	184

*Special lengths for eyelet bolts are available on request.

Strength class 5.8 acc. DIN EN ISO 898-1

The breaking load of the eyelet bolt must be aligned with the breaking force of the applied rope.

Other types

Rope socket to DIN EN 13411-7 with wire rope clip similar to DIN EN 13411-5

Rope suspensions with rope sockets acc. to DIN EN 13411-7

Rope suspensions with wedge sockets acc. to DIN 43148

Wire ropes ends tapered and welded

Wire rope ends seized